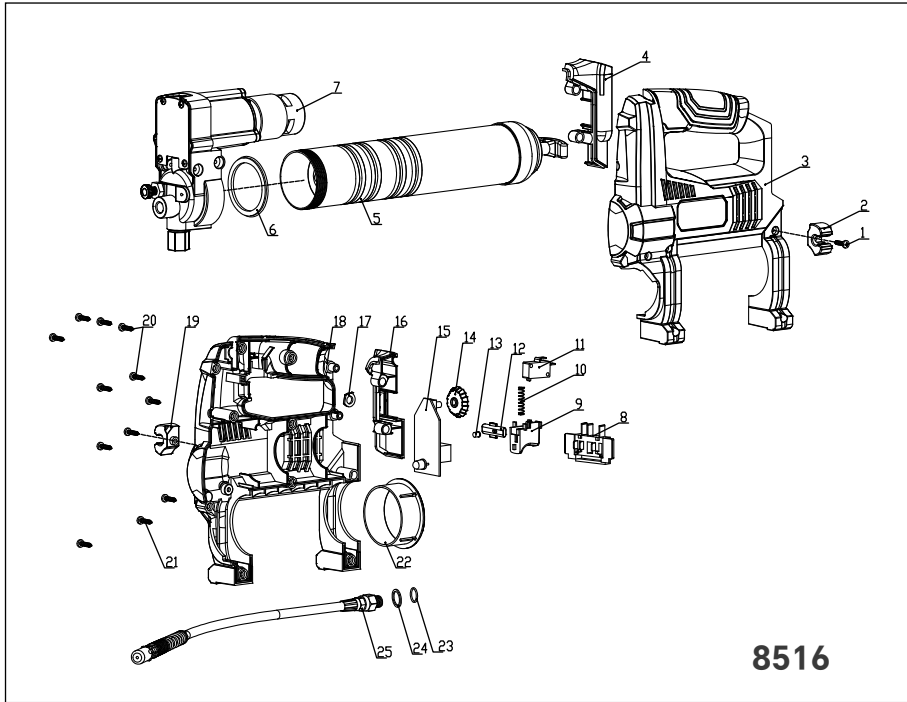


# 148x210mm

**ROTAKE®**

www.rotake.com



**8516**

ITEM.	DESCRIPTION	QTY.	ITEM.	DESCRIPTION	QTY.
1	Cross Head Screw ST4*19	2	14	Speed Adjustor PA6 - 30GF	1
2	Clamping Block Left Housing	1	15	PCB Board	1
3	Left Housing PA6 - 30GF + TPR	1	16	Footplate Right Housing PA6 - 30GF	1
4	Footplate Left Housing PA6 - 30GF	1	17	Jamming PA6 - 30GF	1
5	Barrel Assembly	1	18	Right Housing PA6 - 30GF + TPR	1
6	Clamping Ring	1	19	Clamping Block Left Housing	1
7	Pump Assembly	1	20	Self - tap Screw ST4*30	2
8	Battery Connector	1	21	Self - tap Screw ST4*16	9
9	Trigger PA6 - 30GF	1	22	Barrel support ring PA6 - 30GF	1
10	Trigger Pressure Spring 65Mn	1	23	Bulkhead sealing ring $\phi 7.4 \times 1$	1
11	Microtrigger	1	24	Copper gasket $\phi 14 \phi 10.1.5$	1
12	Lock - on Button PA6 - 30GF	1	25	Oil Outlet Pipe	1
13	Ball Head Plunger	2			