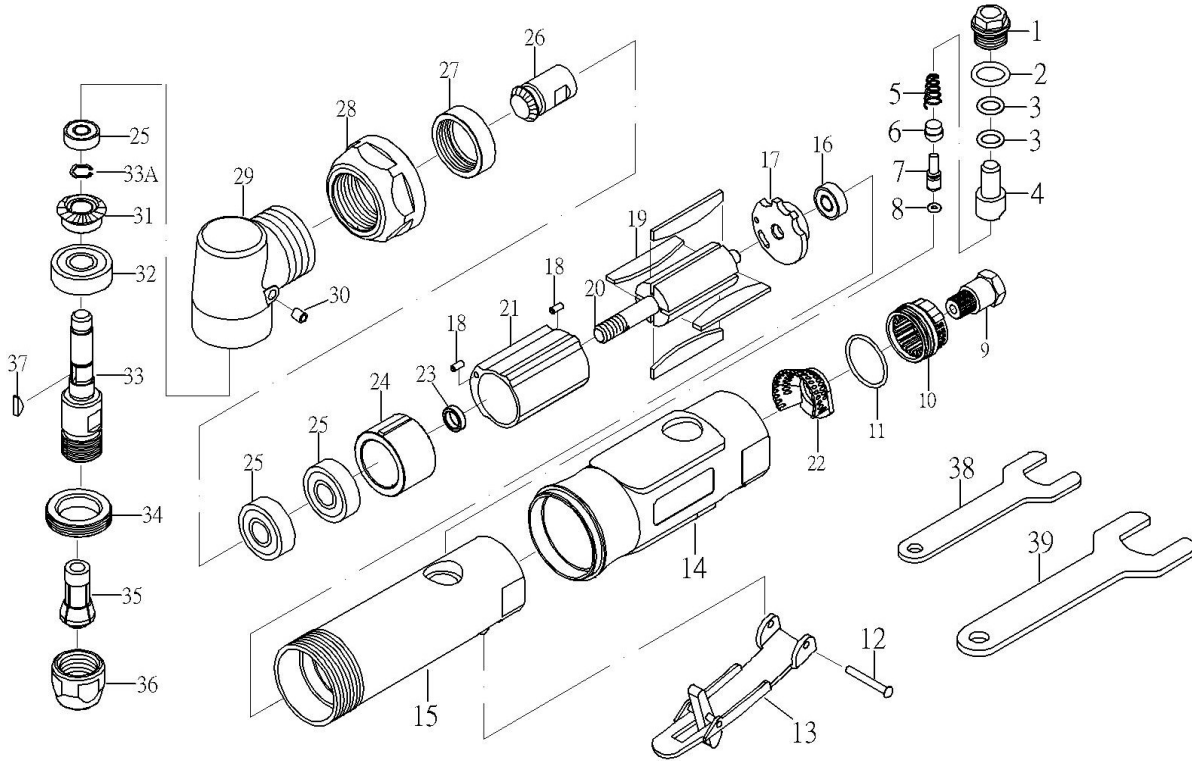




BATO RESERVEDELISOVERSIGT - VARENUMMER 7534

ProfTool

AIR ANGLE DIE GRINDER



NO	PARTS NO	DESCRIPTION	Q'TY	NO	PARTS NO	DESCRIPTION	Q'TY
01	70001	SCREW	1	21	ST70021	CYLINDER	1
02	70002	O-RING(P12)	1	22	70022A	CONE MUFFLER	1
03	70003	O-RING(P8)	2	23	20022	BEARING SPACER	1
04	70004	AIR REGULATOR	1	24	ST21023	FRONT PLATE	1
05	50332	SPRING	1	25	21024	BEARING(608ZZ)	3
06	70429	VALVE STEM BUSHING	1	26	21025	BEVEL GEAR(18T)	1
07	70007	VALVE STEM	1	27	21026	NUT	1
08	OB-04	O-RING(3.5*1.4)	1	28	ST21027	CLAMP NUT	1
09	70009	AIR INLET	1	29	ST288330	ANGLE HOUSING	1
10	70010	EXHAUST SLEEVE	1	30	21029	OIL CUP	1
11	70011	O-RING(26.7*1.78)	1	31	21030	BEVEL GEAR(20T)	1
12	70432	SPRING PIN	1	32	70048A	BEARING(6000ZZ)	1
13	ST80509	LEVER	1	33	21032	SHAFT	1
14	70014	PROTECTING RUBBER	1	33A	ST288336A	SNAP RING	1
15	ST21015	HOUSING	1	34	21034	CLAMP NUT	1
16	20312	BEARING(696ZZ)	1	35	21036	COLLET	1
17	ST70017	REAR PLATE	1	36	21037	COLLET NUT	1
18	70018	PIN	2	37	ST21033	KEY	1
19	20019	ROTOR BLADE	4	38	BT21038-14	STOP SPANNER 14M/M	1
20	ST288321	ROTOR	1	39	BT21039-19	STOP SPANNER 19M/M	1