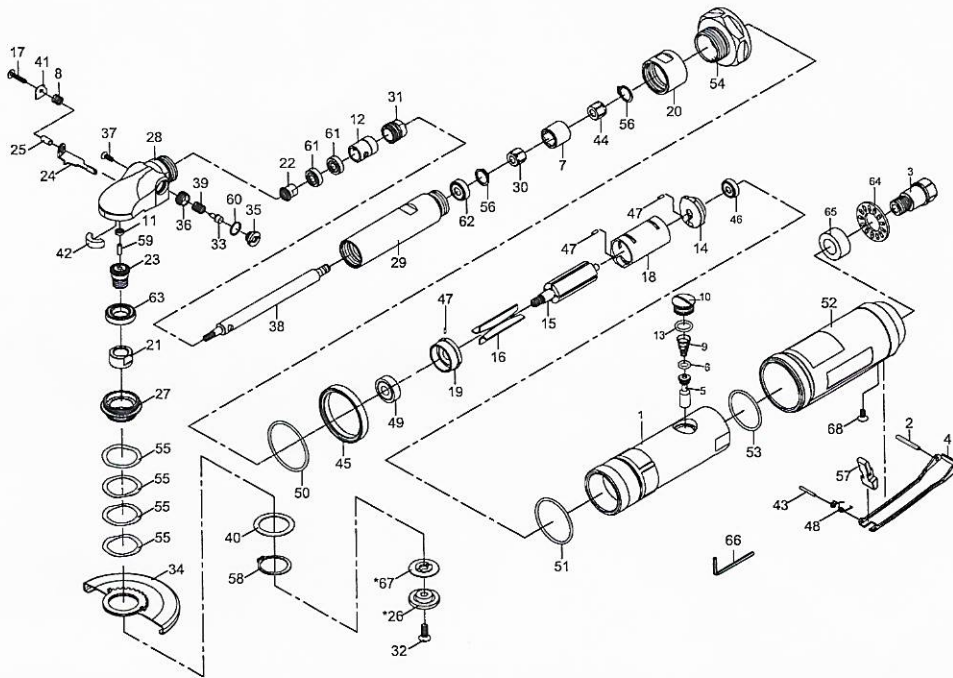


# 4" EXTENDED CUT-OFF TOOL



Index No.	Parts No.	Description	Index No.	Parts No.	Description
1	50-520001	Motor Housing	35	5L-507135	Button Seat
2	30102	Spring Pin (3x24L)	36	5L-507136	Nut
3	50-520003	Air Inlet	37	5L-507137	Screw (M4x12L)
4	5J-842304	Throttle Lever	38	5L-507138	Roller Shaft
5	50-520005	Valve Shaft	39	5L-507139	Spring
6	70107	O-Ring (4.8x1.9)	40	5L-507140	Washer
7	5B-321107	Connector	41	5L-507141	Washer
8	5L-507108	Spring	42	5L-520042	Oil Felt
9	50-520008	Valve Spring	43	40128-21	Spring Pin (Ø2x16L)
10	50-520010	Plug	44	5B-321144	Nut
11	0684ZZ	Ball Bearing (684zz)	45	50-520002	Decoration Ring
12	5L-507112	Bushing	46	030113	Ball Bearing (626zz)
13	70123	O-Ring (11.8x2.4)	47	72017	Spring Pin (3) (Ø2.5x6L)
14	5K-3011B14	Rear End Plate	48	51541	Spring
15	5B-321115	Rotor	49	051220	Ball Bearing (6000zz)
16	5K-3011B16	Rotor Blade (4)	50	OR04000200	O-Ring (40x2)
17	5L-507117	Screw (M4x20L)	51	40126	O-Ring (35.5x2)
18	5L-520018	Cylinder	52	5L-520052	Grip
19	5L-520019	Front End Plate	53	OR03105200	O-Ring (31.5x2)
20	5L-520025	Connector Nut	54	5L-520013-12	Clamp Nut
21	5L-520021-12	Lock Nut	55	WW30	Wave Washers (4) (WW-30)
22	5L-520022	Bevel Gear	56	STW-15	Retaining Ring(2) (STW-15)
23	5L-520023	Bevel Gear	57	5J-842350	Safety Bar
24	5L-507124	Lock Bar	58	STW30	Retaining Ring (STW-30)
25	5L-507125	Bushing	59	PN04001108	PIN (4x11.8)
*26	5L-520040	Flange Nut (3/8")	60	OR01104103	O-Ring (11.4x1.25)
	5L-520041	Flange Nut (Ø10)	61	0728121	Ball Bearing (2) (698zz)
	5L-520045	Flange Nut (Ø15)	62	030120	Ball Bearing (608zz)
	5L-520046	Flange Nut (5/8")	63	06903ZZ	Ball Bearing (6903ZZ)
27	5L-507127	Lock Nut	64	50-520011	Diffuser
28	5L-507128	Front Housing	65	5L-520020	Muffler
29	5L-520029	Connector Pipe	66	10014	Hex-Key Wrench (4mm)
30	5K-2011B44	Nut	*67	5L-520030-12	Flange (3/8")
31	5L-507131	Lock Nut		5L-520031	Flange (Ø10)
32	654247	Screw (M6x16L)		5L-520035-12	Flange (Ø15)
33	5L-507133	Stop Button		5L-520036-12	Flange (5/8")
34	5L-507143	Disc Cover	68	5G-321V30	Screw (M4x8L)

\*Optional parts

5L-5200-0010  
5L-5200-0015  
5L-5200-0016  
5L-5200-0038